

# DAVEY Whisper®



Model Numbers:  
W500, W750, W1000



## COMPACT FOR CONFINED SPACES

### APPLICATION

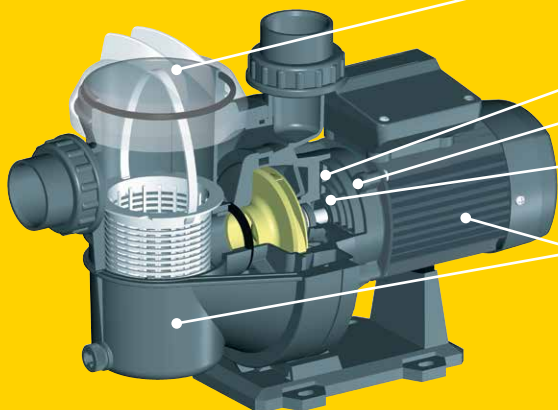
Ideal for filtration, auto pool cleaning, backwashing, water features, spa jet operation and solar, gas and heat pump pool heating.

### FEATURES & BENEFITS

- Double insulated to water circuit and provided with an Equipotential Bonding Point for AS/NZ 3000 wiring standards
- Compact dimensions – perfect for tight spaces
- High quality, reliable pump with low power usage
- Clear leaf basket lid designed for easy access and inspection of filtered debris
- Built in thermal overload protection, protects motor from low voltage or jammed pump
- Barrel union connections for easy pump installation
- Includes integrated check valve in the discharge

# DAVEY Whisper®

## Swimming Pool Pump



**Easy to remove, leaf basket cover** for easy viewing and removal of leaves and debris

**Quiet and efficient motor**

**Double insulated to water circuit** with Equipotential Bonding Point

**Stainless steel motor shaft** for corrosion resistance in salt water pools

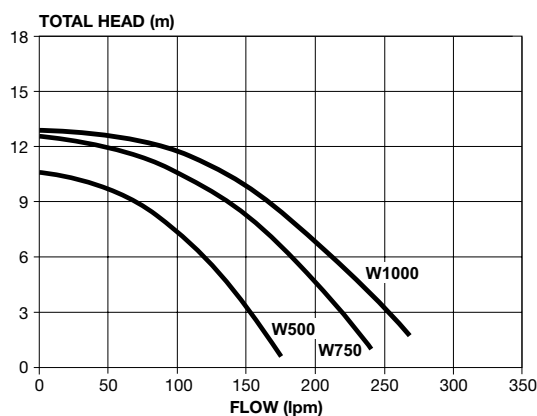
**Pump body and base mount** made from glass-filled polypropylene for corrosion resistance

**Compact and easy to install.**  
Weighs 8.4kg or less.

### ELECTRICAL DATA

Model - Whisper	500	750	1000
Voltage (V)	220-250		
Supply frequency (Hz)	50		
Phase	1		
Run Current (A)	1.9	2.7	3.5
Motor Input Power (W)/hp	450	650	850
Motor Output Power (W)/hp	250	370	750
RPM	2900		
Enclosure class (IP)	X5		
Insulation class	F		
Approval No.	SGSEA / 120914 or SGS555		

### HYDRAULIC PERFORMANCE



### OPERATING LIMITS

Maximum water temperature	35°C
Maximum ambient temperature	50°C

### DIMENSIONS (mm)

Type	A	B	C	D	E	F	G	H	Net Weight (kg)
W500									7.4
W750	475	311.5	212	301	210	257	50	50	7.7
W1000									8.4

