

Davey Starflo SF Pump

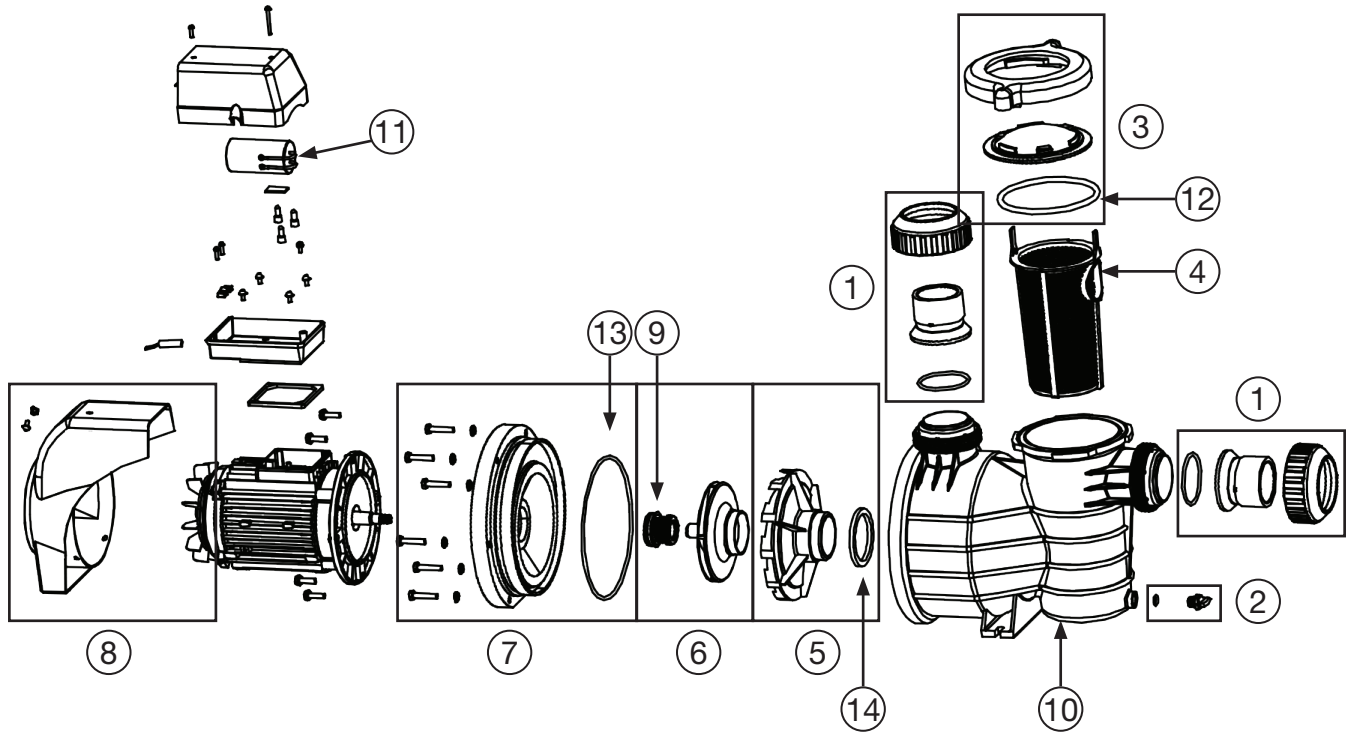
DSF750(CE)

DSF900(CE)

DSF1100(CE)

DSF1350(CE)

Notes: A. CE model variants available exclusively in Europe
 B. Includes 9,12,13 & 14



ITEM	PART NO.	DESCRIPTION	PART SPECIFICATIONS	NOTES	QTY REQ'D
1	33170SP	Barrel union assy	AU		2
1	33171SP	Barrel union assy	EU	A	2
12	402811SP	Pump lid o-ring			1
2	33172SP	Drain plug and o-ring			1
10	402816SP	Pump casing			1
4	402810SP	Pump basket			1
3	33173SP	Pump lid assy			1
5	33174SP	Diffuser and gasket			1
9	402823SP	Mechanical seal			1
6	33175SP	Impeller with neck ring & seal	DSF750		1
6	33176SP	Impeller with neck ring & seal	DSF900		1
6	33177SP	Impeller with neck ring & seal	DSF1100		1
6	33178SP	Impeller with neck ring & seal	DSF1350		1
6	33182SP	Impeller with neck ring & seal	DSF750-1		1
6	33183SP	Impeller with neck ring & seal	DSF900-1		1
6	33184SP	Impeller with neck ring & seal	DSF110-1		1
6	33185SP	Impeller with neck ring & seal	DSF1350-1		1
-	33179SP	Seal kit and o-rings		B	1
7	33180SP	Backplate w/o-ring and screws			1
11	402840SP	Capacitor 15uf	DSF750, DSF900		1
11	402841SP	Capacitor 20uF	DSF1100		1
11	402842SP	Capacitor 30uf	DSF1350		1
8	33181SP	Fan, fan cover & screws			1
	402836SP	Power lead	DSF750, DSF900		1
	402837SP	Power lead	DSF1100, DSF1350		1