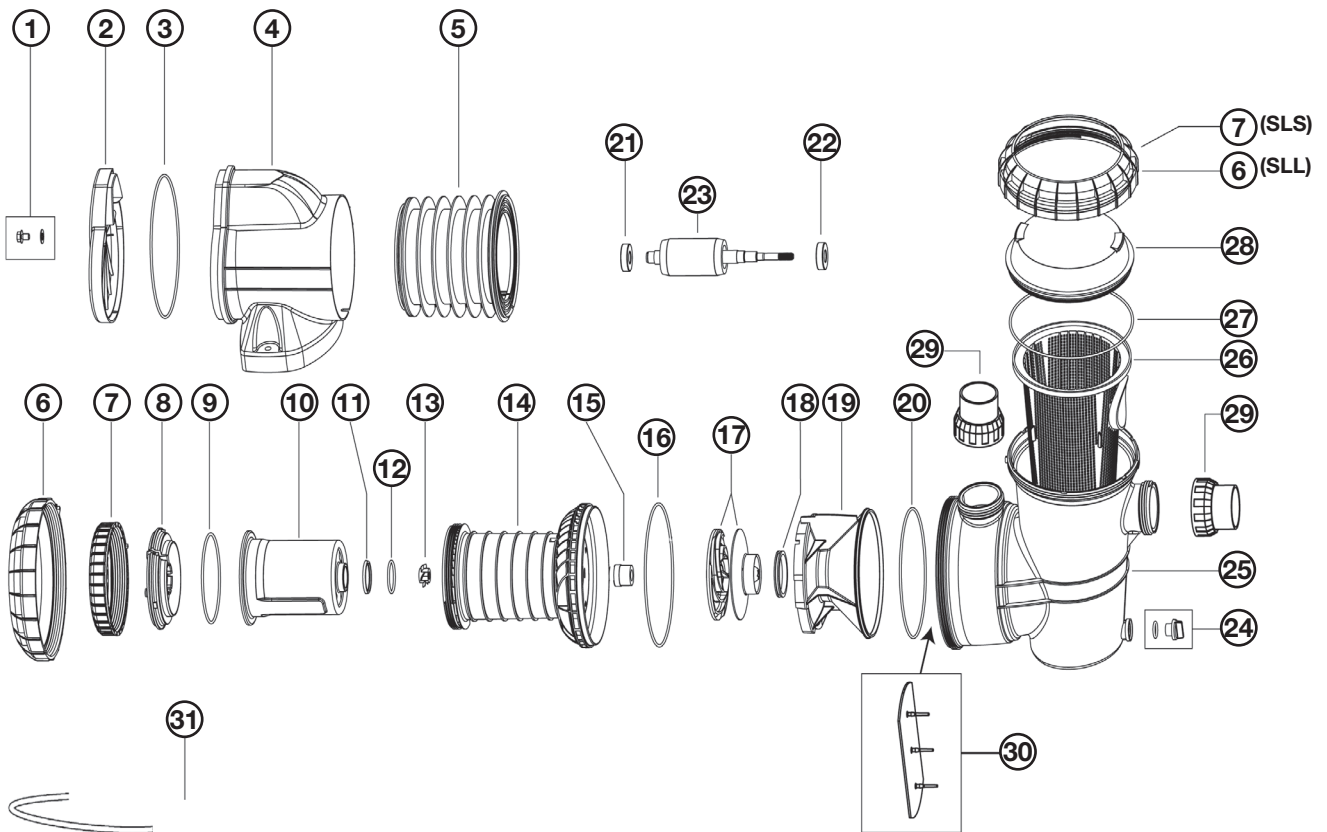


Small, ECO, 50Hz						SLSECO-0
Small, 75L/min, 50Hz						SLS75-0
Small, 100L/min, 50Hz			SLS100-0	SLS100-1	SLS100E-0	SLS100E-1
Small, 150L/min, 50Hz			SLS150-0	SLS150-1	SLS150E-0	SLS150E-1
Small, 200L/min, 50Hz					SLS200-0	SLS200-1
Small, 300L/min, 50Hz					SLS300-0	SLS300-1
Large, ECO, 50Hz						SLLECO-0
Large, 150L/min, 50Hz		SLL150-0	SLL150-1	SLL150E-0	SLL150E-1	SLL1503F-0
Large, 150L/min, 60Hz				SLL150P-0	SLL150P-1	SLL150P-2
Large, 200L/min, 50Hz	SLL200-0	SLL200-1	SLL200E-0	SLL200E-1	SLL2003F-0	SLL2003F-1
Large, 200L/min, 60Hz					SLL200Y-0	SLL200Y-1
Large, 250L/min, 60Hz				SLL250P-0	SLL250P-1	SLL250P-2
Large, 300L/min, 50Hz	SLL300-0	SLL300-1	SLL300E-0	SLL300E-1	SLL3003F-0	SLL3003F-1
Large, 300L/min, 60Hz				SLL300P-0	SLL300P-1	SLL300P-2
Large, 400L/min, 50Hz		SLL400-0	SLL400-1	SLL400E-0	SLL400E-1	SLL4003F-0

- Notes: A. Lid assembly comprises of items 6/7, 27 & 28.
 B. Silensor service tools 13810SP & 13810-1SP required to remove case nuts during servicing.
 C. Seal kit includes items 3, 9, 12, 15, 16, 20 & 28.
 D. When replacing the end shield on a "-0" model, the impeller & rotor should also be changed to the "new style" detailed below.
 E. When replacing the motor jacket/water shell on a "-0" model, the impeller & rotor should also be changed to the "new style" detailed below.
 F. When replacing the rotor on a "-0" model, the impeller should also be changed to the "new style" detailed below.
 G. Service motor includes 1-14, 16, 21, 22, 23 & 31. When replacing service motor on a "-0" model, the impeller should also be changed to the "new style".
 H. Models sold in Australia and New Zealand, except: CE model variants available exclusively in Europe. Y model variants available exclusively in the Americas. P model variants available exclusively in the Americas.



ITEM	PART NO.	DESCRIPTION	PART SPECIFICATIONS	NOTES	QTY REQ'D
1	32356	Rear cover screw kit			1
2	13619SP	Rear Cover	All other SLS-0, SLL-0		1
2	13619-1SP	Rear Cover	All other SLS-1, SLL-1		1
2	13619-1SCSA	Rear Cover	SLL150P, SLL250P, SLL300P		1
2	13619-1SCSA110	Rear Cover	SLL200Y		1
3	400279	O-ring Rear casing			1
4	13622-10	Outer Cover	All other models		1
4	13622-10CSA-P	Outer Cover	SLL150P, SLL200Y, SLL250P, SLL300P		1

ITEM	PART NO.	DESCRIPTION	PART SPECIFICATIONS	NOTES	QTY REQ'D
5	13650-10	Motor cover rubber			1
6	13441-2	Case Nut - Large	SLS requires 1, SLL requires 2	B	as stated
7	12845-10	Case Nut - Small	SLS requires 2, SLL requires 1	B	as stated
8	13437-40M	Endshield	All other models		1
8	13437CSA	Endshield	SLL150P, SLL250P, SLL300P		1
9	43069	O-ring			1
10		Stator shell & assy		G	1
11	12848	Front seal ring			1
12	40001	O-ring - Front seal ring			1
13	13564	Fan			1
14	13443-20	Motor Shell - Water Jacket		E	1
15	49771SP	Seal - Mechanical 5/8"			1
16	44858	O-ring - Front casing			1
17	32360	Impeller Assy	SLS100(E)-0		1
17	32361	Impeller Assy	SLS/SLL150(E)-0		1
17	32362	Impeller Assy	SLS/SLL200(E)-0		1
17	32363	Impeller Assy	SLS/SLL300(E)-0		1
17	32364	Impeller Assy	SLL400(E)-0		1
17	32366	Impeller Assy	SLS/SLL150P-0		1
17	32367	Impeller Assy	SLS/SLL200P-0		1
17	32368	Impeller Assy	SLS/SLL250P-0		1
17	32369	Impeller Assy	SLL300P-0		1
17	32721SP	Impeller Assy	SLSECO, SLLECO		1
17	32808SP	Impeller Assy	SLS75		1
17	32863-10	Impeller Assy	SLL200Y-1		1
17	32999	Impeller Assy	SLS100(E)-1		1
17	33000	Impeller Assy	SLS/SLL150(E)-1, SLL1503F		1
17	33000P	Impeller Assy	SLL150Y-1		1
17	33001	Impeller Assy	SLS200-1, SLL200(E)-1, SLL2003F		1
17	33001P	Impeller Assy	SLL250P-1		1
17	33002	Impeller Assy	SLS300-1, SLL300(E)-1, SLL3003F		1
17	33002P	Impeller Assy	SLL300P-1		1
17	33003	Impeller Assy	SLL400(E)-1, SLL4003F		1
18	13569	Floating Neckring			1
19	13438	Diffuser			1
20	43784	O-ring - Casing			1
21	403078	Bearing 6203 DDU2 c/w 2 x O-rings			1
22	48997	Bearing 6203 DDU2 C3 Anti-Creep			1
23	32278-30	Rotor - 75mm	SLS100(E), SLS150(E), SLL150(E), SLS200, SLL150P, SLL200Y	F	1
23	32278S-30	Rotor - 75mm	SLL1503F, SLL2003F, SLL3003F	F	1
23	32232-30	Rotor - 83mm	SLS300, SLL200(E), SLL300(E), SLLECO	F	1
23	32232T-10	Rotor - 83mm	SLLECO		1
23	32232S-30	Rotor - 83mm	SLL4003F	F	1
23	32260-20	Rotor - 92mm	SLL300P, SLL400E	F	1
24	8890-2SP	Plug & O-ring - Priming			1
25	13618-2	Casing Front	SLS		1
25	13439	Casing Front	SLL		1
26	11341-10	Strainer basket	SLS		1
26	13562SP	Strainer basket	SLL		1
27	43066	O-ring	SLS	B	1
27	403187	X-ring	SLL	B	1
28	13620	Lid & O-ring	SLS	B	1
28	13563	Lid & X-ring	SLL	B	1
29	48649B	Barrel Union Assy (includes nut, tail & o-ring)	SLS75, SLS100, SLS150, SLS200, SLS300		2
29	48773B	Barrel Union Assy (includes nut, tail & o-ring)	SLL200, SLLECO		2
29	48722B	Barrel Union Assy (includes nut, tail & o-ring)	SLL250P, SLL300, SLL300P, SLL400		2
29	48649-1	Barrel Union Assy (includes nut, tail & o-ring)	SLS		2
29	48775-1	Barrel Union Assy (includes nut, tail & o-ring)	SLL150E/3F, SLL200E/3F		2
29	48722B-1	Barrel Union Assy (includes nut, tail & o-ring)	SLL300E/3F, SLL400E/3F		2
29	48775B	Barrel Union Assy (includes nut, tail & o-ring)	SLL150P, SLL200Y		2
30	13621	Flap Valve	SLS only		1
31	14983	Capacitor power lead	SLL150P, SLL250P, SLL300P		1
31	15073-6	110V 3-pin 8.3m CSA power lead	SLL200Y		1
31	15073-5	Power Lead	All other single phase models		1
31	15073-7	Power Lead	All other three phase models		1
	32428	Lid Assy	SLS	A	1
	32429	Lid Assy	SLL	A	1
	Q4210	40mm Union Ring	SLS		1
	Q5112	50mm Union O-Ring	SLL		1
	403231	Capacitor - 12µF P2 450V 30,000 hour (30k)	SLS75, SLS100(E), SLS150(E), SLS200, SLL150(E)		1
	400655	Capacitor - 25µF P2 450V 10,000 hour (10k)	SLL200E-0, SLL300E-0, SLL400E-0		1
	403231	Capacitor - 10µF P2 450V 30,000 hour (30k)	SLL150P, SLL300P		1
	403232	Capacitor - 15µF P2 450V 30,000 hour (30k)	SLL200Y		1
	403196	Capacitor - 20µF P2 450V 30,000 hour (30k)	SLL250P, SLL300P		1
	403188	Capacitor - 25µF P2 450V 30,000 hour (30k)	SLL300 & all other SLL models		1
	S75SM-1	Service Motor	SLS100(E), SLS150(E), SLS200, SLL150(E)	G	1
	S83SM-1	Service Motor	SLS300(E), SLL200(E), SLL300(E)	G	1
	S75SM110	Service Motor	SLL200Y	G	1
	S83SMP-1	Service Motor	SLL250P	G	1
	S92SMP-1	Service Motor	SLL300P	G	1
	S92SM-1	Service Motor	SLL400(E)	G	1
	S75SMF3	Service Motor	SLL1503F, SLL2003F, SLL3003F	G	1
	S83SMF3	Service Motor	SLL4003F	G	1
	13846*10	Washer - Myler pk 10			1
	13810-1SP	Spanner - Silensor small		B	1
	13810SP	Spanner - Silensor large		B	1
	32764	Seal Kit	SLS	C	1
	32763	Seal Kit	SLL	C	1