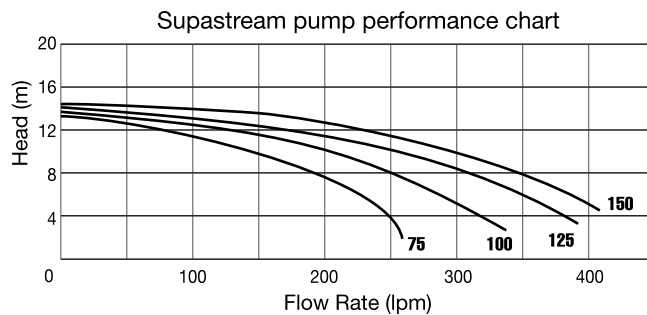


# Supastream Pumps

State-of-the-art power and design

## SUPASTREAM PUMPS

Part Number	Product Description	Nominal Size
2403075	Supastream 075	0.75hp
2403100	Supastream 100	1.00hp
2403125	Supastream 125	1.25hp
2403150	Supastream 150	1.50hp



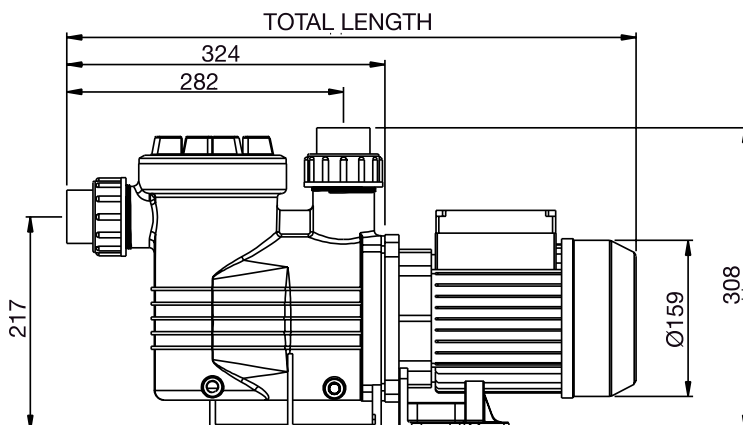
Supastream pumps are general purpose pumps designed for use in swimming pools and low pressure water re-circulation applications.

- 1.5 litre strainer basket.
- Protected by secondary seal.

## Specifications

Model	Flow Rate (lpm)		Nom. HP	kW	Amps	Total Length (mm)	Motor Frame (mm)	Inlet/Outlet
	8m	10m						
Supastream 075	190	154	0.75	0.61	2.80	536	63	40mm ports x / 40mm unions
Supastream 100	251	205	1.00	0.82	3.60	559	71	40mm ports x / 40mm unions
Supastream 125	295	241	1.25	0.88	3.90	559	71	40mm ports x / 40mm unions
Supastream 150	332	272	1.50	1.09	4.90	580	83	40mm ports x / 40mm unions

Phase	Volts	Cycle	RPM
1	220- 240	50	2860



## Warranty

Pumps	3 years (conditional) *
Wet End	3 years
Motor, mechanical seal, O' ring, basket & impeller	2 years
Commercial applications	1 year
Labour	1 year

\* Please refer to Waterco's warranty terms and conditions